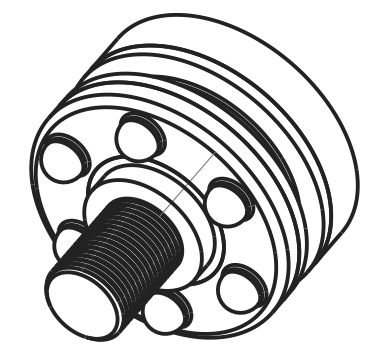
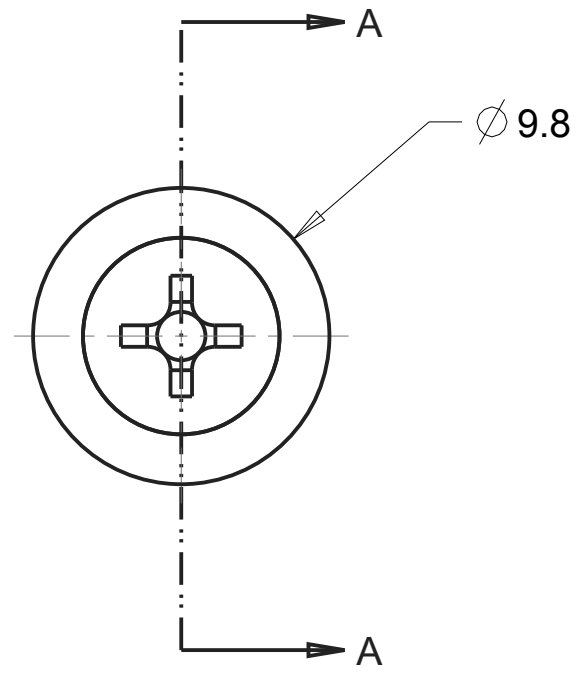
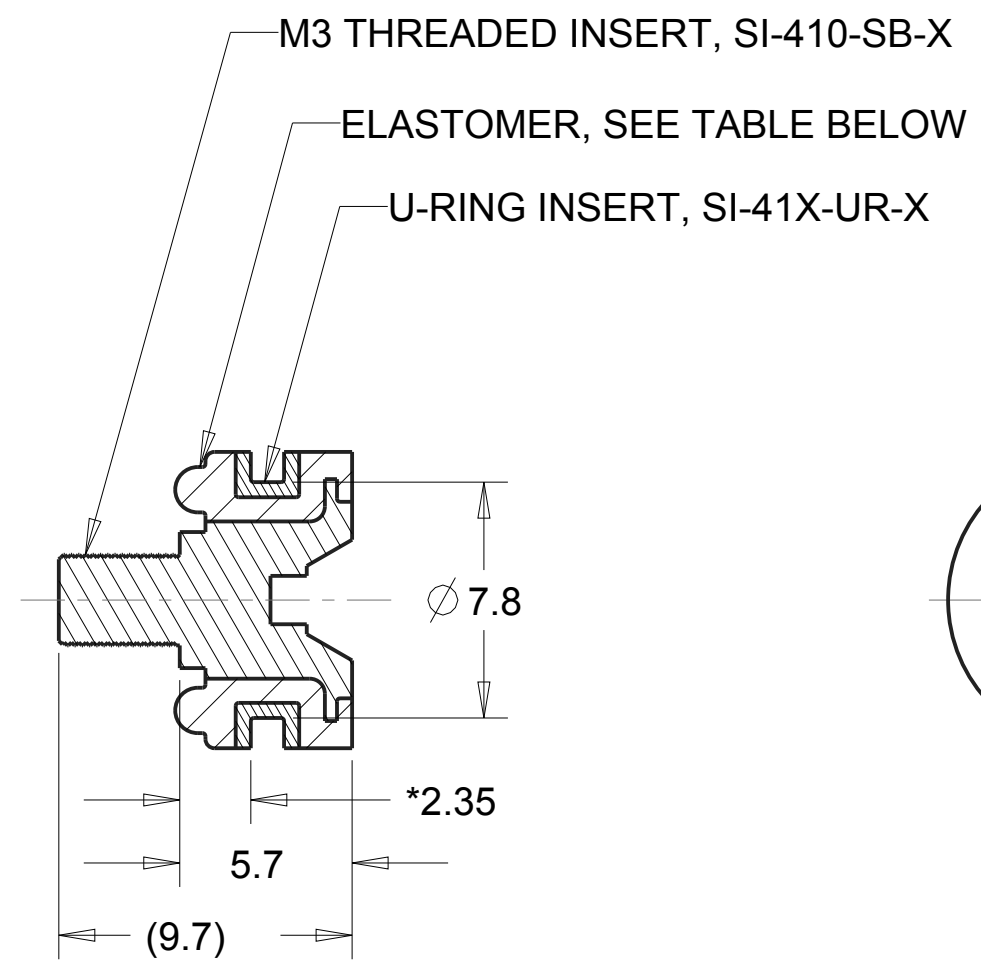




REVISIONS				
DRAWN	REV	DESCRIPTION	DATE	APPROVED
TC	-	PRODUCTION RELEASE	2-22-12	MS
TC	01	Fixed material naming to include "C" Added flash and gate tolerances	2-23-12	MS
TC	02	UPDATED NAMING CONVENTION	6-14-12	MS



SECTION A-A

- 5. USE THE TOLERANCE TABLE ON THE LEFT FOR ELASTOMERS.
- 4. FOR THREADED INSERT: CRITICAL DIM TOL: $\pm .08\text{MM}$.
ALL OTHER DIM TOL: $\pm .10\text{MM}$.
- 3. FOR THREADED INSERT: ASTM B-117 (72 HOURS).
- 2. CRITICAL DIMENSIONS SHALL HAVE Cpk VALUE ≥ 1.33 WITH ONGOING SPC DATA REQUIRED.
- 1. CRITICAL DIMENSIONS ARE MARKED WITH " * ".

NOTES:

SI-410-C8012	C-8012
SI-410-C8002	C-8002
SI-410-C8001	C-8001
SI-410-C1002	C-1002
PART #	MATERIAL

RANGE	TOL
0<DIM<=2	± 0.15
2<DIM<=25	± 0.25
25<DIM<=50	± 0.4
50<DIM	± 0.6

UNLESS OTHERWISE SPECIFIED UNITS ARE: MM [IN] TOLERANCE FOR ANGLES: $\pm 1.0^\circ$		MATERIAL: SEE TABLE		AEARO TECHNOLOGIES LLC * a 3M company	
ALLOWABLE FLASH: $\pm .12\text{MM}$		QUALITY CONTROL: MUST COMPLY WITH E-A-R SPECIALTY COMPOSITES SUPPLIER QUALITY MANUAL REQUIREMENTS		TITLE SI-410 GROMMET	
GATE: $\pm .15\text{MM}$		NOTES: ANY FEATURE NOT DIMENSIONED IN PRINT MUST BE VISIBLY PRESENT, UTILIZE 3D CAD FOR CREATION		SIZE B	DRAWING NO. SI-410-X
				PAGE NO. 1 of 1	